

Door Collection

Combine the below accents to create a beautiful header for any door. The door trim can be cut to connect directly to the header or the ED-4814 rosette can be used as a block for each side of the header. The ED-4806 to ED-4812 pieces may also be ordered separately.

ED-4804 L: 48.8" H: 7.8" W: 1.3"

ED-4806 6.1" x 4.5" x 0.4"

ET-8719 L: 94.5"

ED-4807 6.1" x 4.5" x 0.9"

ED-4808 5.6" x 3.3" x 0.9"

ED-4809 12.1" x 4.3" x 0.4"

ED-4810 17.3" x 4.5" x 0.6"

ED-4811 9.1" x 5.3" x 1.2"

ED-4812 13.1" x 5.2" x 0.7"

ED-4817 10.0" x 3.7" x 1.6"

ED-4814 3.9" x 3.9" x 1.5"

ED-4804+ED-4806

ED-4804+ED-4807

ED-4804+ED-4808

ED-4804+ED-4807+ED-4809

ED-4804+ED-4810

ED-4804+ED-4811

ED-4804+ED-4812

ED-4804+ED-4812

ED-4804+ED-4812 **ED-4814** **ED-4814**



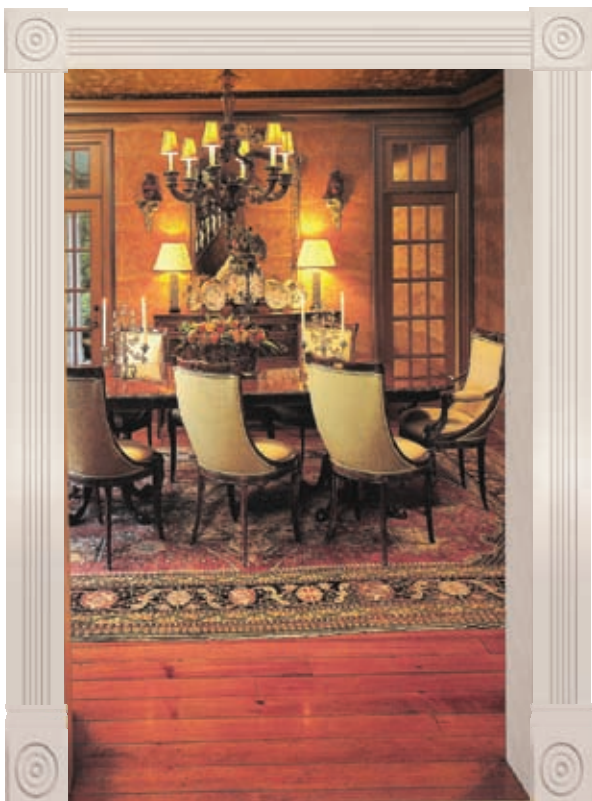
3029A Door Set

- 1/2 length of AC268 moulding (7.1" x 1.0" x 47")
- 1 piece of D3031 center plaque (31.5" x 7.7" x 1.8")
- 2 pieces of D3029 capitols (7.9" x 8.7" x 2.4")
- 2 pieces of D1507 columns (86.6" x 7.0" x 1.2")



3029B Door Set

- 1/2 length of AC268 moulding (7.1" x 1.0" x 47")
- 1 piece of D3030 center plaque (21" x 7.7" x 1.8")
- 2 pieces of D3029 capitols (7.9" x 8.7" x 2.4")
- 2 pieces of D1507 columns (86.6" x 7.0" x 1.2")



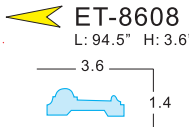
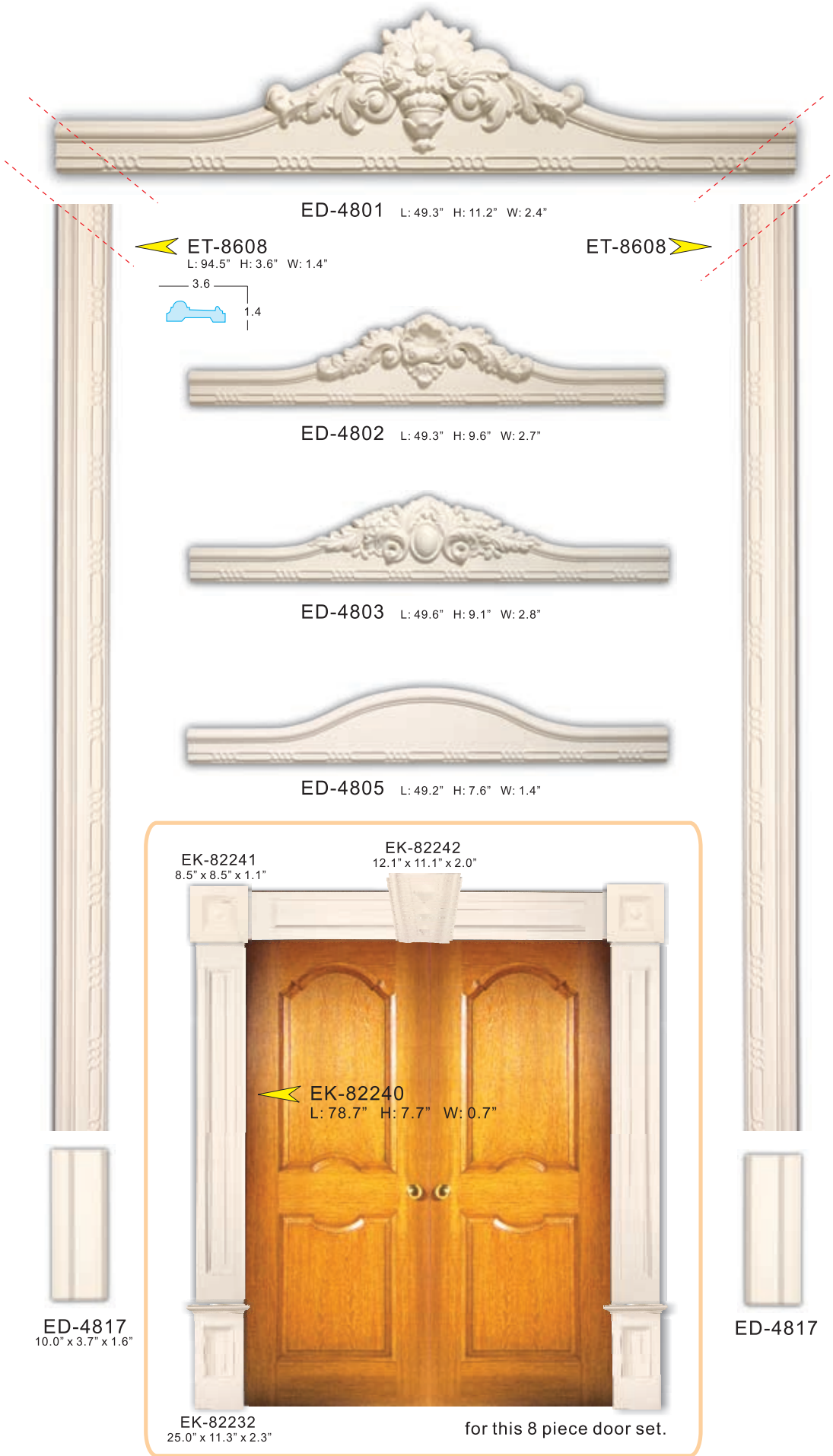
AD356 Door Set

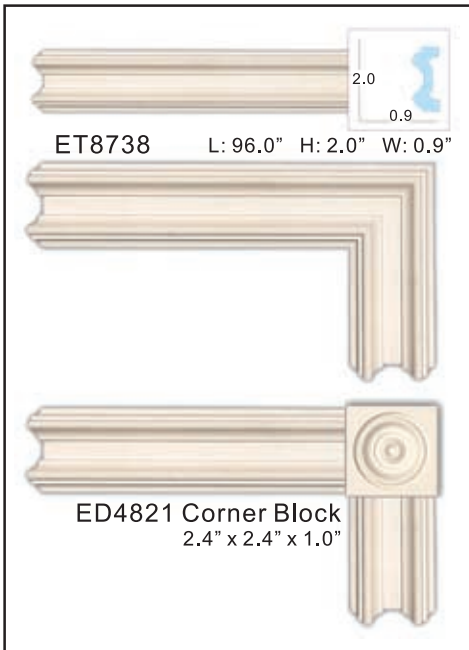
- 3 lengths of AD356 moulding (4.5" x 0.8" x 96")
- 2 pieces of D3032 block (4.7" x 4.7" x 1")
- 2 pieces of D3033 plinth (7.7" x 4.7" x 1.3")



AC277 Door Set

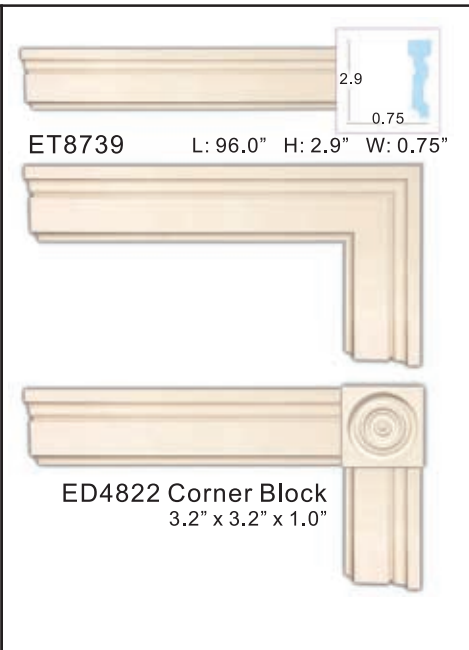
- 3 lengths of AC277 moulding (5.0" x 1.1" x 96")
- 2 pieces of D3036 block (5.2" x 5.2" x 1.3")
- 2 pieces of D3037 plinth (8.7" x 5.2" x 1.3")





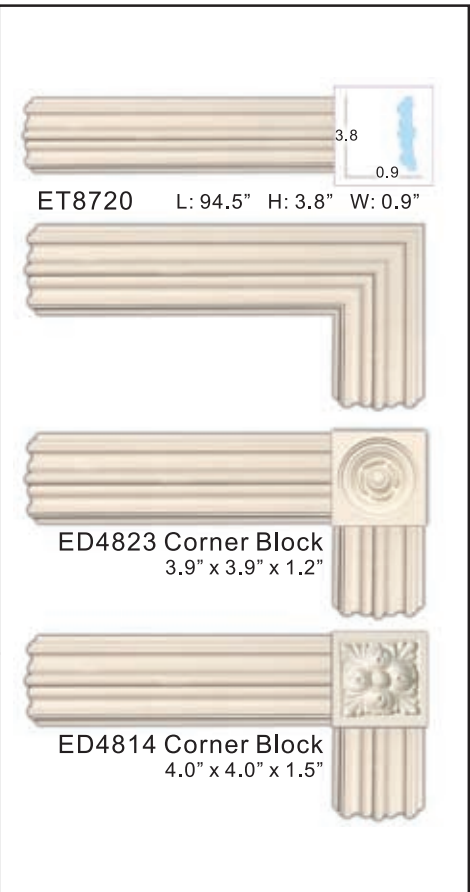
ET8738 L: 96.0" H: 2.0" W: 0.9"

ED4821 Corner Block
2.4" x 2.4" x 1.0"



ET8739 L: 96.0" H: 2.9" W: 0.75"

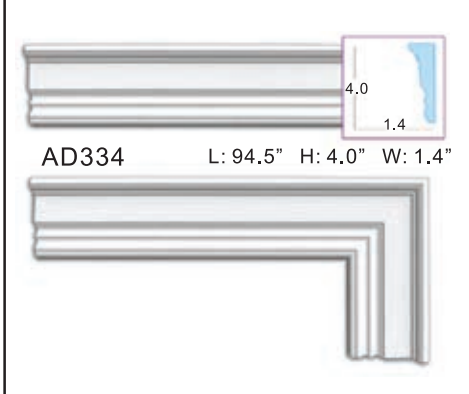
ED4822 Corner Block
3.2" x 3.2" x 1.0"



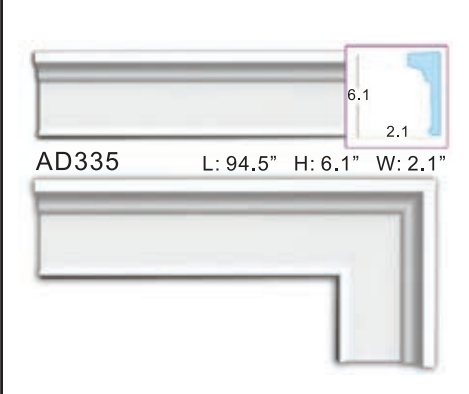
ET8720 L: 94.5" H: 3.8" W: 0.9"

ED4823 Corner Block
3.9" x 3.9" x 1.2"

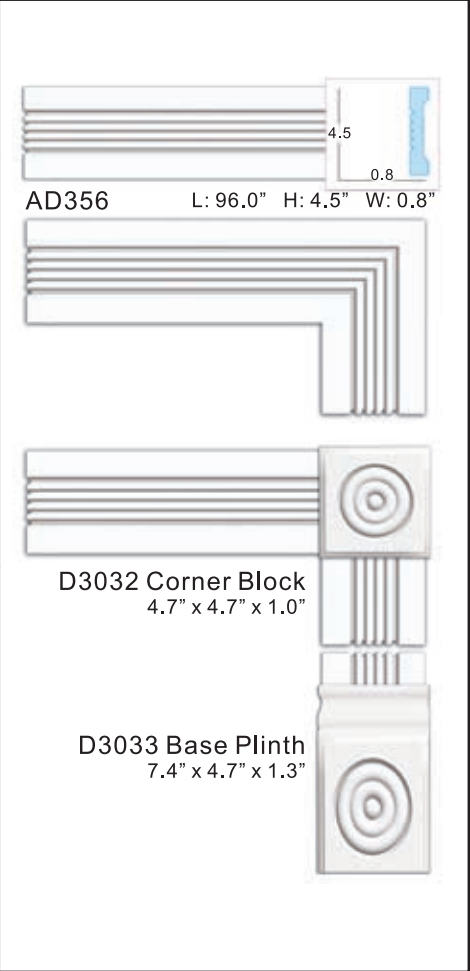
ED4814 Corner Block
4.0" x 4.0" x 1.5"



AD334 L: 94.5" H: 4.0" W: 1.4"



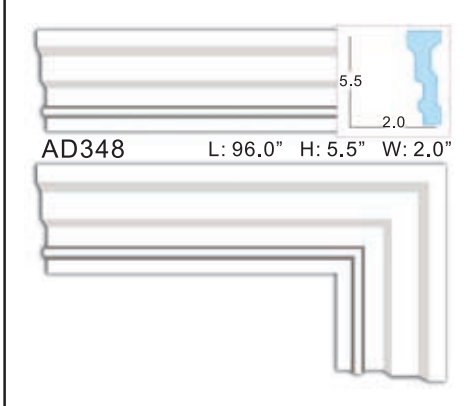
AD335 L: 94.5" H: 6.1" W: 2.1"



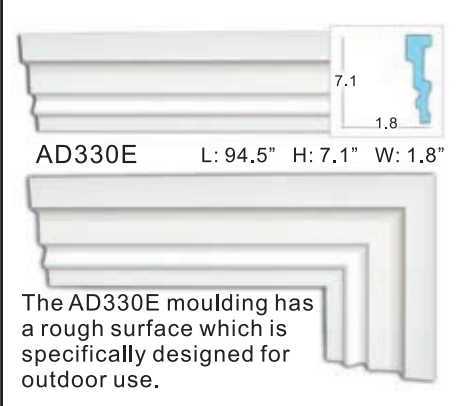
AD356 L: 96.0" H: 4.5" W: 0.8"

D3032 Corner Block
4.7" x 4.7" x 1.0"

D3033 Base Plinth
7.4" x 4.7" x 1.3"

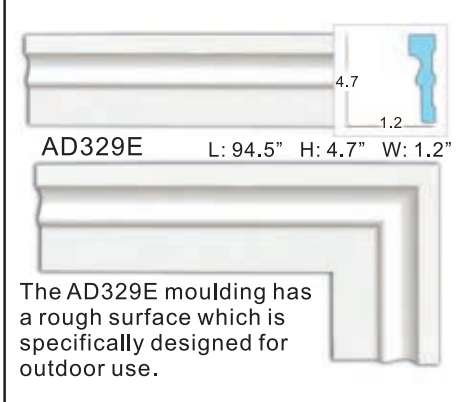


AD348 L: 96.0" H: 5.5" W: 2.0"



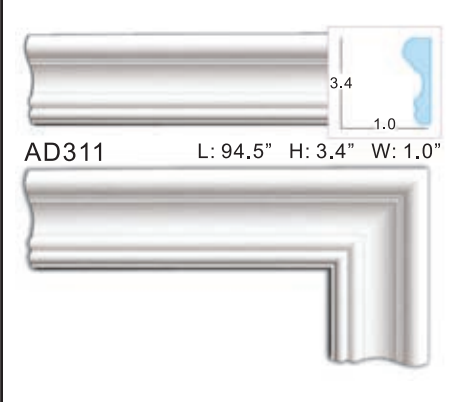
AD330E L: 94.5" H: 7.1" W: 1.8"

The AD330E moulding has a rough surface which is specifically designed for outdoor use.

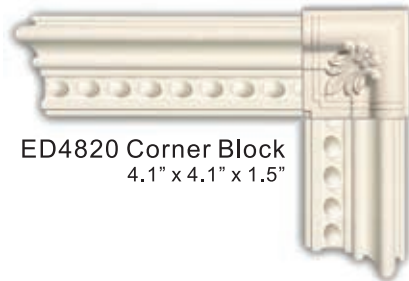
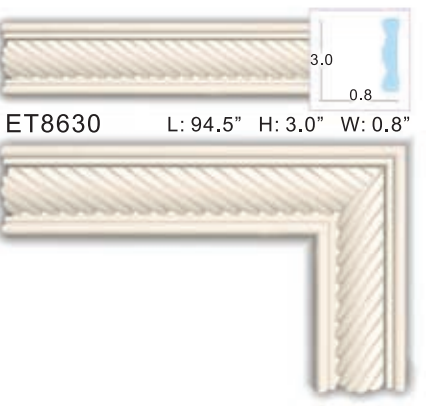
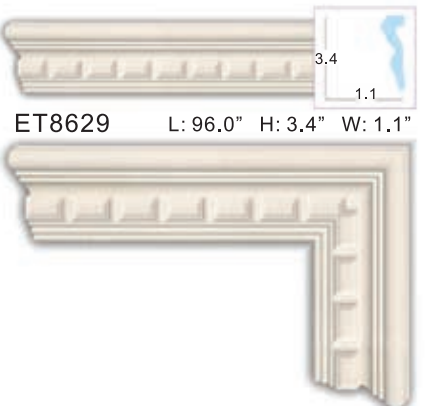
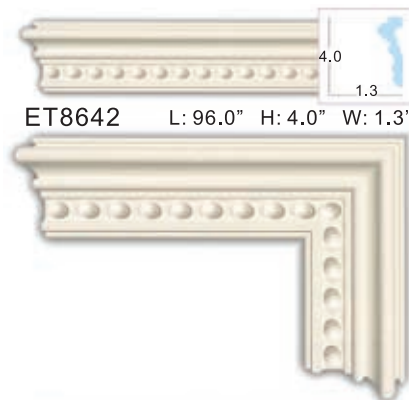
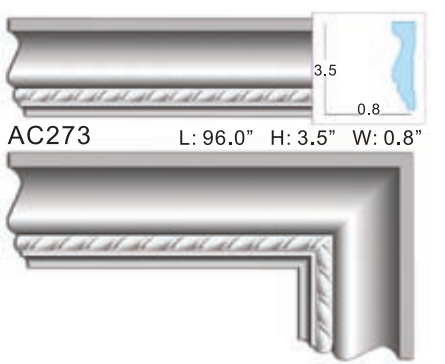
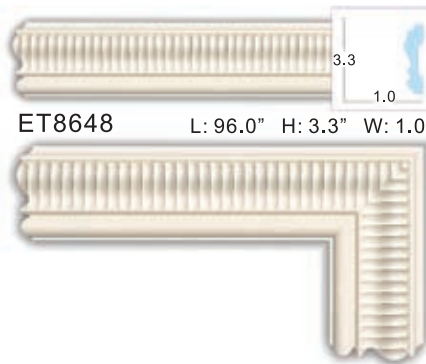
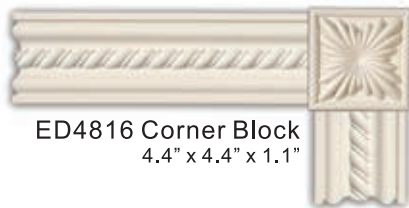
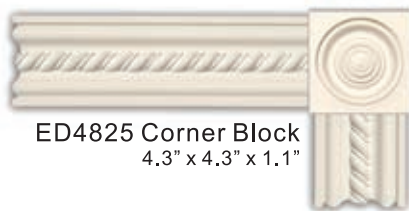
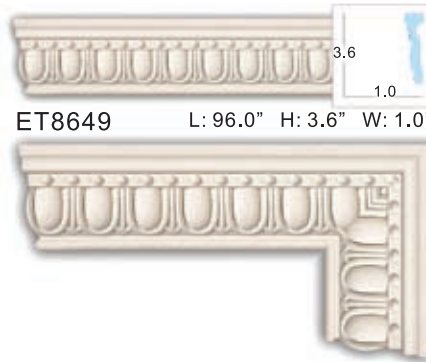
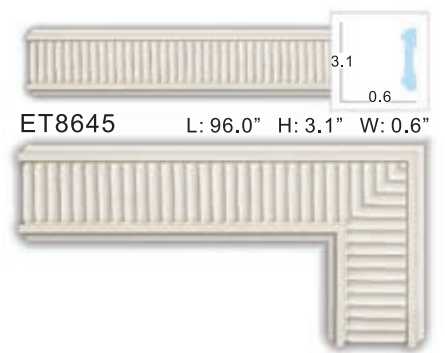
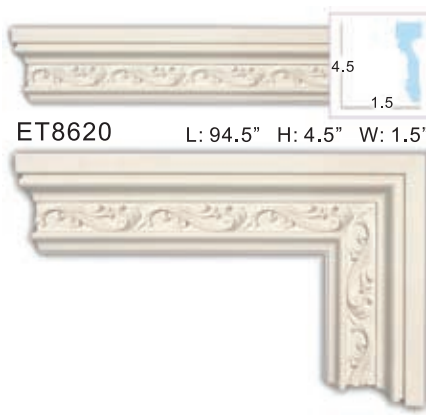
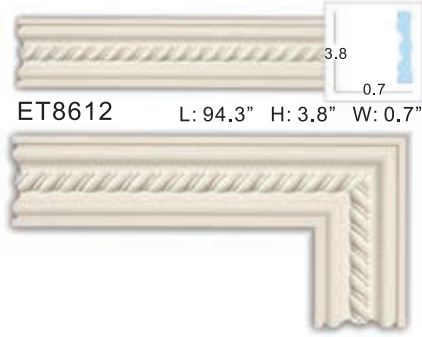


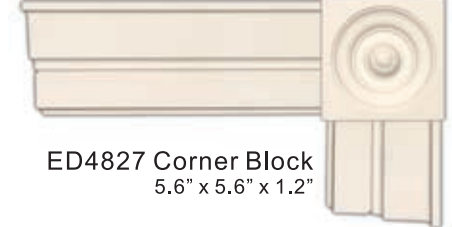
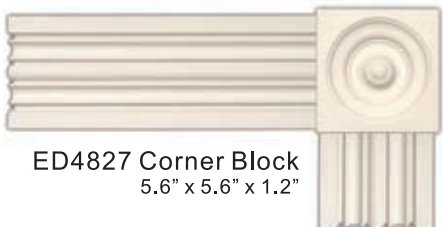
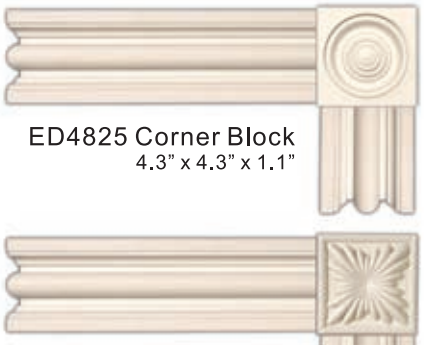
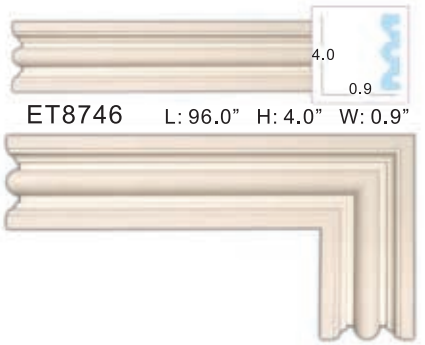
AD329E L: 94.5" H: 4.7" W: 1.2"

The AD329E moulding has a rough surface which is specifically designed for outdoor use.



AD311 L: 94.5" H: 3.4" W: 1.0"







ET8768 L: 96.0" H: 4.8" W: 0.7"



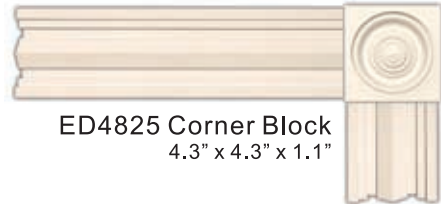
The ET-8768 also makes a great ceiling or wall panel moulding.



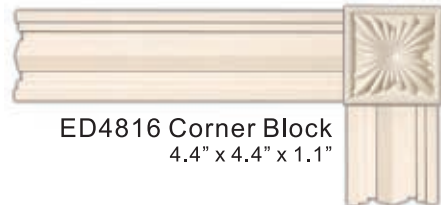
ET8763 L: 96.0" H: 3.1" W: 0.9"



ET8748 L: 96.0" H: 3.9" W: 0.8"



ED4825 Corner Block
4.3" x 4.3" x 1.1"



ED4816 Corner Block
4.4" x 4.4" x 1.1"



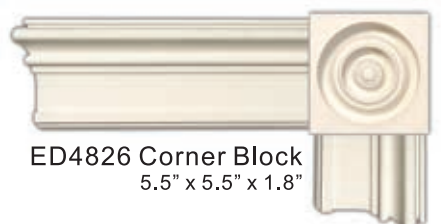
ET8741 L: 96" H: 3.1" W: 0.8"



ET8742 L: 96.0" H: 3.1" W: 0.8"



ET8751 L: 96.0" H: 4.9" W: 1.7"



ED4826 Corner Block
5.5" x 5.5" x 1.8"



ET8765 L: 96.0" H: 3.7" W: 0.6"



ET8753 L: 94.5" H: 3.2" W: 0.8"



Baseboards



ET8902 L: 96.0" H: 4.0" W: 0.7"



ET8905 L: 96.0" H: 4.8" W: 0.6"



ET8904 L: 96.0" H: 3.8" W: 0.5"



ET8906 L: 96.0" H: 6.0" W: 0.6"